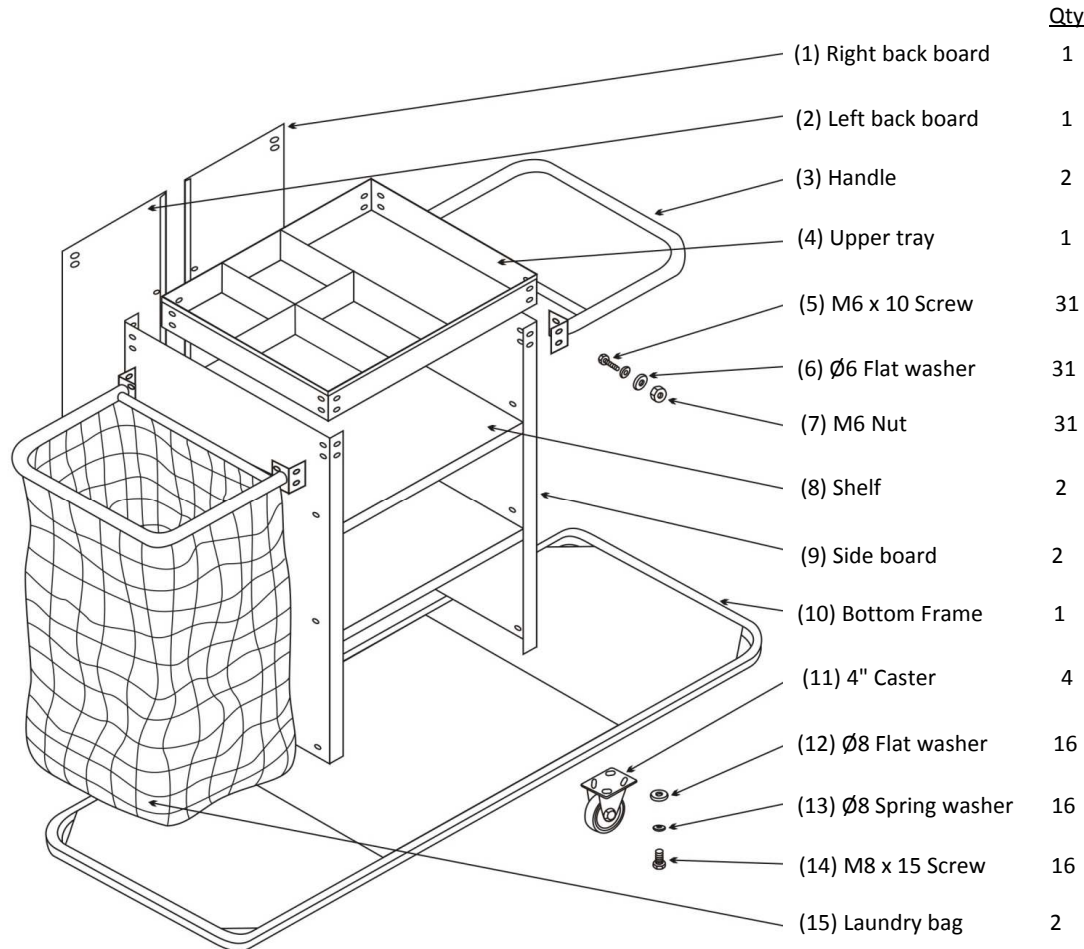


ASSEMBLING INSTRUCTION FOR AF 258 (399-1017)



Qty

1. Install (1), (2) & (9) on (10) first. Apply (5), (6) & (7) to hold the main structure, and put (4) on top. Tighten the screws slightly at this moment. When put (4) on, please aware to put (1), (2) & (9) into the notches of (4).
2. Install (3). Pass (5) through the holes on (4), (9) & (3) respectively. And do it again on the other 3 sides. Apply (6), (13) & (7) and slightly tighten.
3. Install (8). Fix between (1), (2) & (9), slightly tighten with (5).
4. Adjust all the gaps between each part and tighten all screws now.
5. Install (11). Put the whole item upside down on the mat. Match with the holes on the bottom frame. Tighten with (14), (13) & (12). Turn the trolley upward.
6. Install (15). Open it and hang on (3). Fasten all buckles.