



# saro

## Gastro-Products

**Manual instruction for**

**Minibar MB30; MB40; MB50;**

**MB30G; MB40G; MB50G**

Item-Nr.456-1000; 456-1005; 456-1007; 456-1010; 456-1015; 456-1017



English

<b>INTRODUCTION .....</b>	<b>3</b>
<b>TECHNICAL DATA.....</b>	<b>3</b>
<b>SCOPE OF DELIVERY .....</b>	<b>4</b>
<b>NORMS AND DIRECTIVES .....</b>	<b>4</b>
<b>GENERAL NOTES.....</b>	<b>5</b>
<b>SYMBOL EXPLANATION .....</b>	<b>6</b>
<b>SECURITY NOTES.....</b>	<b>7</b>
<b>CONNECTION.....</b>	<b>8</b>
<b>INSTALLATION .....</b>	<b>9</b>
<b>OPERATION .....</b>	<b>9</b>
<b>CLEANING AND MAINTENANCE .....</b>	<b>10</b>
<b>TIPS AND HINTS.....</b>	<b>10</b>
<b>CHANGING THE DOOR HINGE .....</b>	<b>11</b>
<b>CIRCUIT DIAGRAM.....</b>	<b>11</b>
<b>EXPLOSION VIEW .....</b>	<b>12</b>
<b>DISPOSAL .....</b>	<b>15</b>







## INTRODUCTION

Thank you for purchasing our absorption refrigerator. This appliance is designed to improve your living and entertaining comfort. The absorption system refrigerator is a compact, completely silent refrigerator that does not require compressors or fans, originally designed for commercial use or similar purposes. With its quiet operation and attractive design, you will enjoy comfort and convenience for years to come.

Please read these instructions carefully before operating this appliance. When using this appliance, always take basic safety precautions.

This easy-to-use manual will help you get the most out of your absorption refrigerator.

## TECHNICAL DATA

MODEL	MB 30	MB 40	MB 50	MB 30 G	MB 40 G	MB 50 G
Order Nr.	456-1000	456-1005	456-1007	456-1010	456-1015	456-1017
Material housing	(Housing) steel, powder coated, (inside) plastic	(Housing) steel, powder coated, (inside) plastic	(Housing) steel, powder coated, (inside) plastic	(Housing) steel, powder coated, (inside) plastic	(Housing) steel, powder coated, (inside) plastic	(Housing) steel, powder coated, (inside) plastic
Dimensions (mm)	W 402 x D 440 x H 500	W 402 x D 465 x H 560	W 402 x D 465 x H 670	W 402 x D 428 x H 500	W 402 x D 453 x H 560	W 402 x D 453 x H 670
Weight (kg)	18	19,5	23	20,5	22	26
Volume (L)	28	36	44	28	36	44
Temperature range ( °C )	0/+10 °C	0/+10 °C	0/+10 °C	+5 /+14 °C	+5 /+14 °C	+5 /+14 °C
Refrigerant	R717 / 70g	R717/ 72g	R717 / 72g	R717 / 70g	R717/ 72g	R717 / 72g
Blowing agent	Cyclopentane	Cyclopentane	Cyclopentane	Cyclopentane	Cyclopentane	Cyclopentane
Connection (V/Hz./kW)	220 V / 50 Hz / 0,065 kW	220 V / 50 Hz / 0,065 kW	220 V / 50 Hz / 0,065 kW	220 V / 50 Hz / 0,065 kW	220 V / 50 Hz / 0,065 kW	220 V / 50 Hz / 0,065 kW
Energy efficiency class	G (spectrum A till G) 	G (spectrum A till G) 	G (spectrum A till G) 	G (spectrum A till G) 	G (spectrum A till G) 	G (spectrum A till G) 
Temperature regulation	Digital	Digital	Digital	Digital	Digital	Digital
Shelves	1, height-adjustable	2, height-adjustable	3, height-adjustable	1, height-adjustable	2, height-adjustable	3, height-adjustable
GTIN	4017337 048885	4017337 048892	4017337 052219	4017337 048908	4017337 048915	4017337 052226

Technical changes and errors excepted. Designs and illustrations may differ from the original.

**Ammoniak**

**R717**

**NH<sub>3</sub>**



Ammonia is toxic by inhalation, causes burns to the skin, can cause severe eye damage on contact, is toxic to aquatic organisms.

Ammonia is lighter than air.

Urgently avoid direct contact with ammonia!

If contact nevertheless occurred: do not inhale! Wash/rinse skin well with water, consult a doctor!



**CYCLOPENTANE**

**Caution: cyclopentane is flammable!**

## SCOPE OF DELIVERY

- 1 Minibar
- Height-adjustable shelves (MB30 & MB30G – 1 pc.; MB40 & MB40G – 2 pcs.; MB50 & MB50G – 3 pcs.)
- 1 manual instruction

## NORMS AND DIRECTIVES

The unit complies with the current EU standards and directives.

If required, we will send you the corresponding declaration of conformity..



**The unit is designed for dry use only.**

**No water may be poured into the appliance (bottom of the appliance)!**

## GENERAL NOTES

- Before using the unit for the first time, please remove all protective films and clean the unit carefully.
- Keep these operating instructions within easy reach, close to the appliance.
- The manufacturer/dealer cannot be held responsible for damage caused by failure to observe these operating instructions. In addition, the safety of the unit can then no longer be guaranteed.
- If the unit is passed on to third parties, these operating instructions must also be handed over.
- After unpacking the unit, make sure that everything is in perfect condition. If you discover any damage, do not connect the unit but inform your dealer.
- Keep the packaging of the unit. The unit can only be transported safely in its original packaging.
- If it is not possible to keep the packaging, separate the various packaging materials and deliver them to the nearest collection point for proper disposal.
- Note that all components of the packaging (plastic bags, cardboard, polystyrene parts, etc.) can endanger children and must therefore not be stored near them.
- Regular cleaning according to hygiene regulations is necessary.

## SYMBOL EXPLANATION

### WARNING!



This symbol indicates dangers that can lead to injuries. It is imperative that you observe the specified instructions for work safety exactly and act with particular caution in these cases.

### WARNING: DANGER FROM ELECTRIC CURRENT!



This symbol draws attention to dangerous situations caused by electric current. Failure to observe the safety instructions may result in injury or death!

### WARNING: HOT SURFACE - RISK OF BURNS!



This symbol indicates the hot surface of the appliance during and after operation. Danger of burns if not observed!

## SECURITY NOTES

- Read these operating instructions carefully and follow the instructions given in them.
- Incorrect operation and improper handling can lead to faults in the unit and to injuries to the user.
- Observe the accident prevention regulations and general safety regulations applicable to the area of use.
- Ensure a safe stand on a dry, non-slip surface.
- For your safety, do not store or use petrol or other flammable vapours or liquids near this or other equipment.
- Do not move the appliance during use.
- Do not place the appliance on a hot surface.
- Do not let the power cord hang over sharp edges.
- Make sure that it is not possible to accidentally pull the cord or trip over it.
- Never pull the mains plug of your absorption refrigerator by the mains cable. Always grasp the plug firmly and pull it straight out of the socket.
- Check the cable regularly. If it is damaged, e.g. by being crushed, then it must be replaced by a qualified professional.
- The power supply must be properly earthed.
- Do not use an adapter plug or extension cable.
- Please keep all ventilation slots open.
- Protect the unit from contact with strong oxidising agents.
- Do not damage the refrigerant circuit!
- Do not use electrical devices inside the unit unless recommended by the manufacturer.
- Do not use mechanical devices or heat sources such as candles or heaters to accelerate the defrosting process.
- Do not leave the appliance unattended during use. Be especially careful when children are around, they may not realise the dangers of handling electrical appliances and appliances that get hot, which is why injuries and damage to property can occur!
- Protect the unit from moisture.
- Do not operate the unit outdoors in the rain!

- Do not clean the appliance with an open water jet.
- If necessary, contact a person authorised to repair the appliance.
- Do not allow children or persons with reduced physical, sensory or mental capabilities, or lack of experience and/or knowledge, to operate the appliance, as they may not be aware of the hazards involved in using electrical appliances and/or appliances that produce heat, resulting in accidents, fire or property damage.
- Always unplug the appliance from the mains or disconnect it from the mains before cleaning, or when it is not going to be used for a long period of time.
- To disconnect the appliance from the mains, pull out the mains plug, if present, or disconnect or unscrew the associated fuse.
- Use the appliance only for its intended purpose, such as cooling drinks.
- Be sure to observe the maximum load of each shelf (8kg) and the storage compartments in the door (5kg each).
- Use only the original parts intended for the operation of the appliance.
- In the case of a malfunction and/or failure, switch off the appliance and disconnect the plug from the socket; or unplug the appliance from the mains and notify your dealer. He will carry out the repair using original spare parts.
- During use, there must be a safety space of 120 mm around the rear panel and 50 mm on all other sides of the appliance to ensure sufficient and necessary air circulation.

## **CONNECTION**

Before connecting the unit, make sure that the voltage and frequency of the power supply match the specifications on the unit's type plate! The unit must be positioned so that it can be connected to the mains without complications. The mains plug should be easily accessible at all times! Ensure that there is sufficient free space at all sides so that the unit can be operated and serviced without difficulty.



## **INSTALLATION**

- Place the appliance on a flat and safe surface that can support the weight of the appliance and is not sensitive to heat.
- You should not place the appliance on a combustible surface (e.g. tablecloth, carpet, etc.) at any time.
- You must not place the appliance near open fireplaces, electric stoves / electric arc furnaces / electric heaters or other sources of heat.
- Protect the unit from direct sunlight.
- Earthing plug and socket should be provided in accordance with local regulations. The cable size should be as per the requirements of the refrigerator. The appliance must be connected to the proper electrical mains via an all-pole circuit breaker as indicated on the rating plate.
- To ensure circulation, the appliance should be kept at a distance of 12 cm from the wall.
- Under no circumstances should the top grille be covered by any objects. This will hinder the circulation of air.
- Position the unit so that the plug is easily accessible.
- If the cabinet has to be tilted at an angle for handling or moving purposes, leave it in an upright position for 20 to 30 minutes before plugging it in and starting to cool the storage compartment.

## **OPERATION**

### HOW TO OPERATE A MINIBAR:

1. Insert the mains plug into the socket.
2. To set the temperature, turn the thermostat knob inside the cabinet.

The temperature inside the appliance depends on the following factors:

- What is the ambient temperature?
- How often and for how long is the door opened?
- How many items are in the refrigerator?

Therefore, it is recommended to check the temperature from time to time and adjust the thermostat.

## **CLEANING AND MAINTENANCE**

Always unplug the appliance or disconnect it from the mains before cleaning. Never immerse the appliance, the cable or the plug in water!!

Do not use harsh chemicals, abrasive cleaners, ammonia or chlorine bleach, concentrated detergents, solvents or metal scouring pads. Some of these chemicals may damage and/or discolor your absorption refrigerator.

Wipe interior and exterior surfaces with a soft damp cloth. It is advisable to add vinegar to the water.

Wipe all parts thoroughly after cleaning.

## **TIPS AND HINTS**

**In the event of a power failure**, do not open the door of the minibar unless absolutely necessary. If possible, do not add any new, unrefrigerated products during this time.

**If the minibar will not be used for a longer period of time**, remove all goods from the minibar and disconnect the appliance from the power supply by pulling out the mains plug.

Clean the interior and dry it well afterwards to prevent odours and mould from forming. Keep the door open afterwards to make sure that there is no more moisture inside or developing.

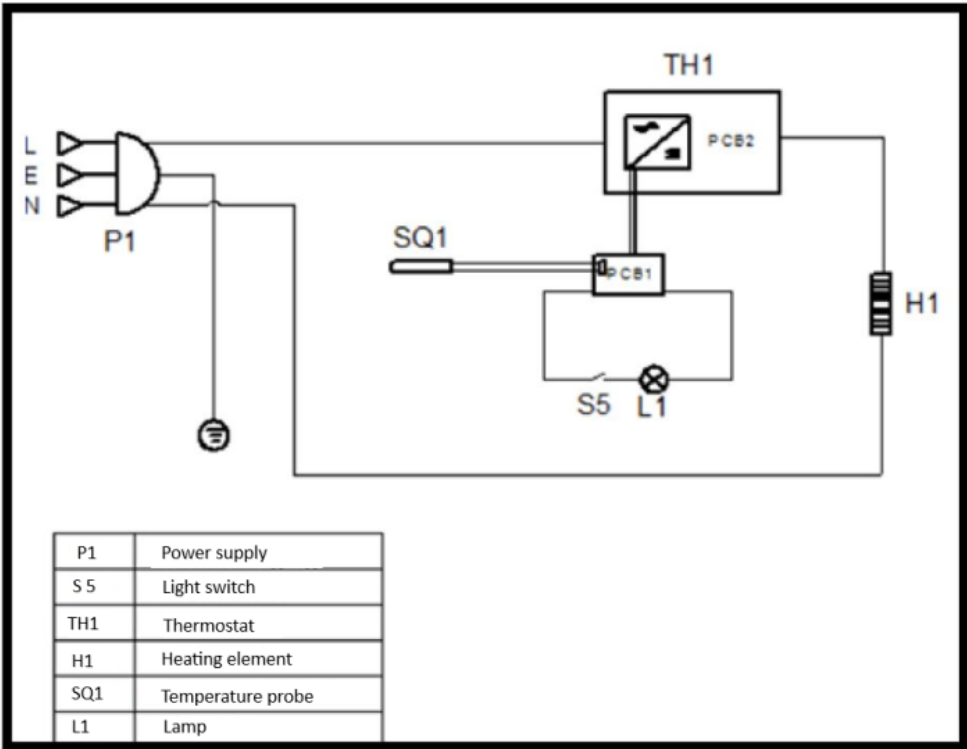
**If the minibar has to be transported**, disconnect it from the power supply by pulling out the mains plug.

**If the minibar is to be stored temporarily**, get small pieces of wood or similar to fix between the doors and the interior to prevent the door from closing completely!

### CHANGING THE DOOR HINGE

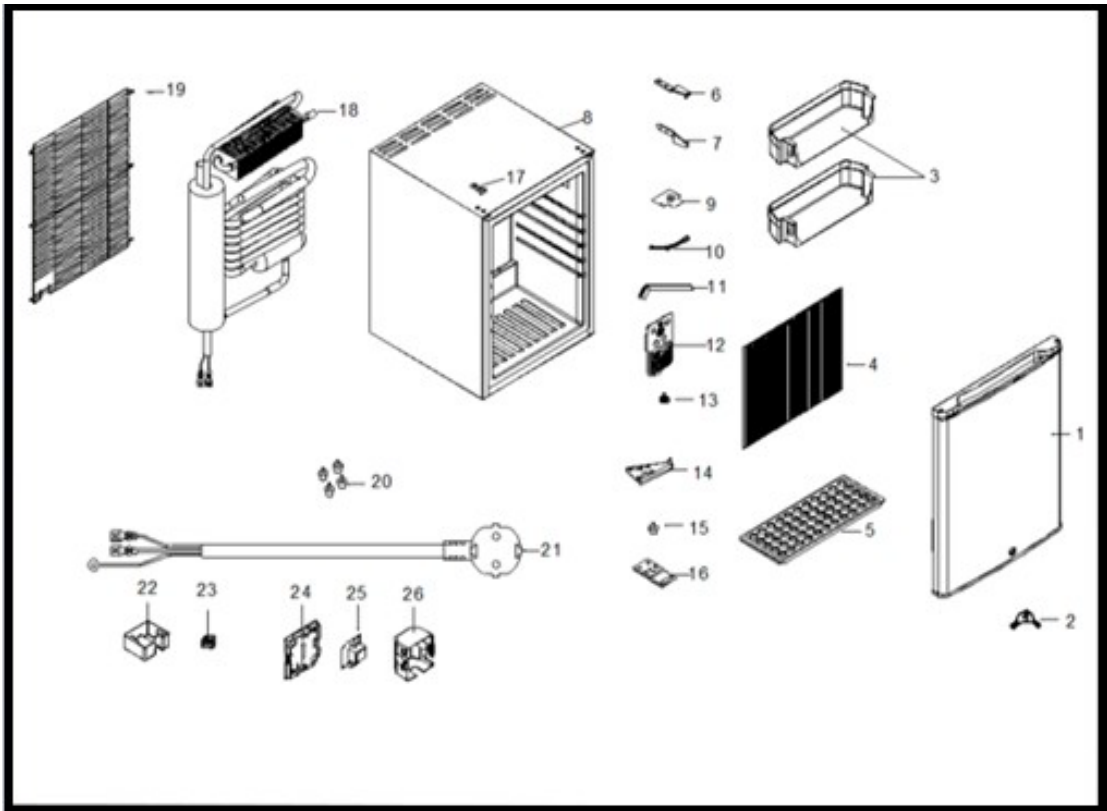
- Remove the bottom hinge by loosening and removing the screws with a screwdriver.
- Carefully lower the door and remove it.
- Remove the two screws from the left upper hinge position, remove the sheet metal part from the hinge position.
- Remove the two screws from the right upper hinge and remove the hinge. Insert the sheet metal part, then rivet the two screws.
- Remove the lower hinge and fix it on the opposite side.
- Take the door. Insert the axle of the lower hinge into the lower right hole of the door.
- Attach the replacement hinge to the upper left position of the cupboard. Adjust the door so that it lines up with the cabinet.
- Note: Because the door seal is pressed in during shipping, the seal may need to be readjusted after the door is turned over. This is good for the seal so that no air can escape. If there is a gap between the cabinet and the door seal, insert the seal by gently pulling it out to seal the gap. If necessary, it is also advisable to heat the seal with a hair dryer to eliminate the gap.

### CIRCUIT DIAGRAM

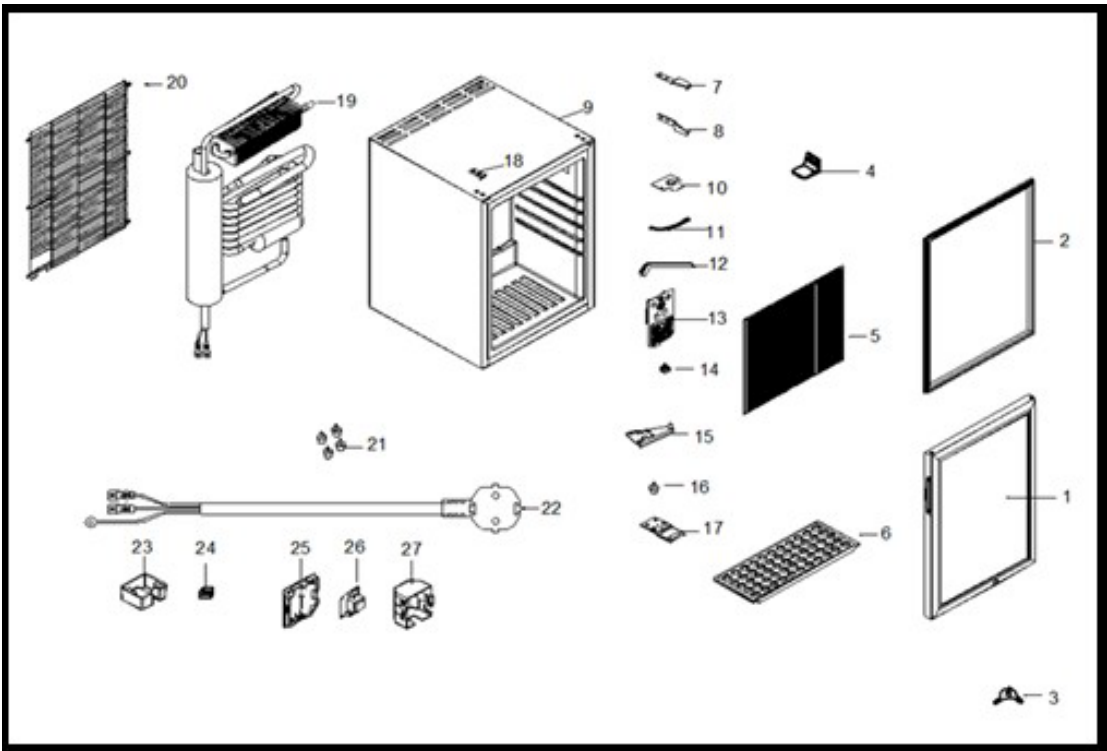


**EXPLOSIVE VIEW**

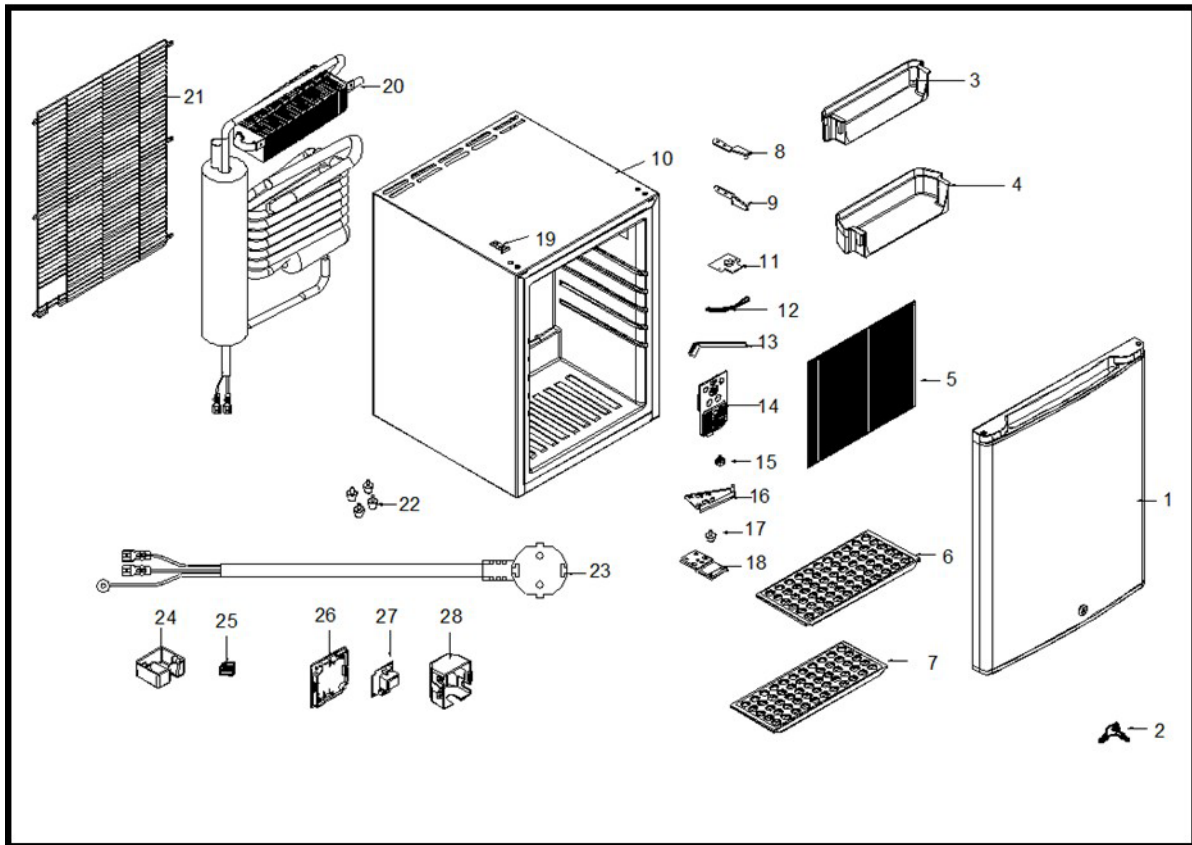
**MB 30**



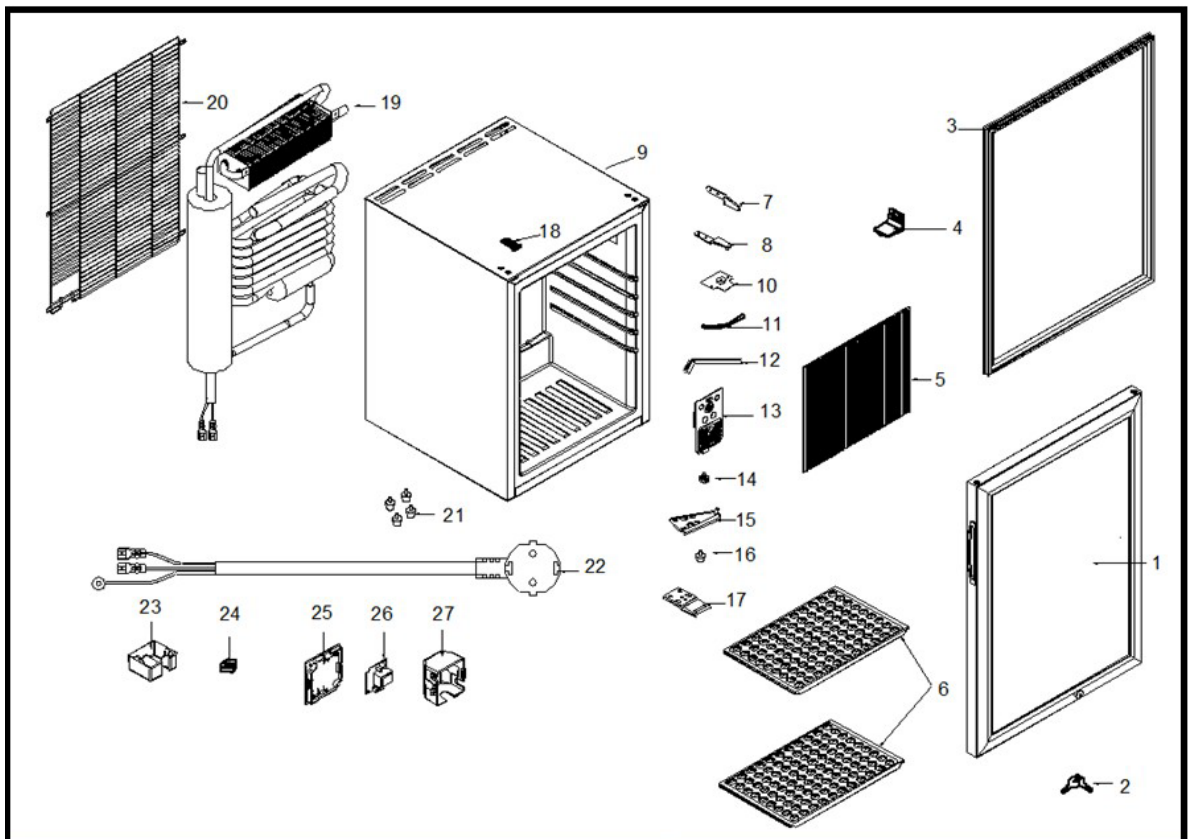
**MB 30 G**



# MB 40



# MB 40 G



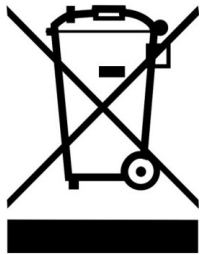


## PACKAGING DISPOSAL



Please separate the packaging materials accordingly and take them to the appropriate collection points for recycling and environmental protection.

## DISPOSAL



When the appliance has reached the end of its service life, please dispose of it properly at a collection point for electrical appliances. Electrical appliances do not belong in household waste.

Your local administration will inform you about the addresses and opening hours of collection points. This is the only way to ensure that old appliances are disposed of and recycled properly. Thank you very much!

*Illustrations in this manual may differ from the original article.*

*Technical and design changes, errors and misprints excepted.*



### Made in P.R.C for:

SARO Gastro-Products GmbH

Sandbahn 6, 46446  
Emmerich am Rhein,  
Germany

Tel. +49(0)28229258-0

Fax +49(0)2822 18192

E-Mail: [info@saro.de](mailto:info@saro.de)