



## Operating instructions

### Coffee maker model SAROMICA THERMO 24

Item no.: 317-2085



**Content**

Scope of delivery.....	3
Standards and directives .....	3
Technixal overview.....	3
General information.....	4
Safety instructions.....	5
Installation.....	5
Connection.....	5
Structure and parts.....	6
First commissioning .....	6
Operation – (display) setting.....	6/7
Cleaning.....	8
Maintenance .....	8
Storage / transport .....	8
Troubleshooting and repaire	8
Circuit diagram.....	9
Exploded view with legend	10/11
Packaging disposal .....	11
Equipment disposal.....	11

**Dear Customer,**

**Congratulations on your new SARO coffee machine SAROMICA THERMO 24.**

**The item you have purchased is designed for commercial use in restaurants, hotels, cafés, canteens and supermarkets to make larger quantities of coffee and keep it warm with insulated pump jug. The required amount of coffee, can be dispensed on the spot.**

**Please read the operating instructions carefully before commissioning.**

**We hope you enjoy your new SARO product.**

### **SCOPE OF DELIVERY**

- 1 SAROMICA THERMO 24 coffee maker
- 1 insulated pump jug (glass inside)
- Some basket filters for a quick start

### **STANDARDS AND GUIDELINES**

The unit complies with the current EU standards and directives:

Low Voltage Directive - NSP 2014/35/EU,  
Electromagnetic Compatibility Directive - EMC 2014/30/EU,  
RoHS Directives 2011/65/EU and 2015/863/EU.

If required, we will send you the corresponding declaration of conformity.

### **TECHNICAL OVERVIEW**

<b>Coffee maker</b>	
<b>Model</b>	SAROMICA THERMO 24
<b>Order no.</b>	317-2085
<b>Material</b>	Stainless steel
<b>On/Off switch</b>	yes
<b>Connection preparation</b>	Ready to plug in with safety plug
<b>Brewing time</b>	Approx. 5 - 6 minutes
<b>Cups</b>	12
<b>Volume gross / net</b>	2 litres / 1.8 litres
<b>Connection</b>	230 V / 50 Hz / 1.9 kW
<b>Dimensions</b>	W 195 x D 360 X H 550 mm
<b>Gross weight</b>	9 kg
<b>GTIN [EAN code]</b>	4017337317141

## GENERAL NOTES

- Keep these operating instructions within easy reach near the unit.
- The manufacturer/dealer cannot be held responsible for damage caused by failure to observe these operating instructions.
- If these operating instructions are not observed, the safety of the unit can no longer be guaranteed.
- If the unit is passed on to third parties, these operating instructions must also be handed over.
- This appliance must not be operated by children or persons with limited physical, sensory or mental abilities, as they may not understand the hazards involved in the use of electrical appliances, resulting in accidents, fire, explosion or property damage.
- After unpacking the unit, make sure that everything is in perfect condition. If you discover any damage, do not connect the unit but notify your dealer.
- Check whether all components specified in the scope of delivery are present. If this is not the case, inform your dealer.
- Keep the packaging of the unit. The unit can only be transported safely in its original packaging, e.g. for repair purposes, when moving house, etc. Note that all components of the packaging (plastic bags, cardboard, polystyrene parts, etc.) can endanger children and must therefore not be stored near them.
- If it is not possible to store the packaging, separate the different packaging materials and deliver them to the nearest collection point for proper disposal.
- Do not use the unit outdoors in the rain or in damp rooms.
- Do not operate the unit unattended.
- Observe the accident prevention regulations and general safety regulations applicable in your area.
- Place the unit in a dry, adequately ventilated place and on a straight, safe surface.
- Before connecting the appliance to the mains and before using it, clean it carefully as indicated under "Cleaning".
- Before connecting the appliance, make sure that a shockproof socket (with earth) and a 230 volt connection are available and that they correspond to the information on the type plate. Other types of current than specified on the type plate may cause the appliance to overheat or become defective.
- Do not drill or pierce holes in the inside or outside of the unit. The circuit could be damaged
- The manufacturer/dealer cannot be held responsible for damage caused by failure to observe the operating instructions. Likewise, the safety of the unit is no longer guaranteed.
- In the event of a malfunction, disconnect the appliance from the mains and inform your dealer. He will carry out the repair with original spare parts.

## SAFETY INSTRUCTIONS

- Incorrect operation and improper handling can lead to malfunctions of the unit and injury to the user.
- Observe the accident prevention regulations and general safety regulations applicable in your area.
- Ensure that the unit stands securely on a dry, non-slip surface that is adequate for the weight of the unit and that it is in a well-ventilated place.
- Before connecting to your mains, check that the type of current and mains voltage correspond to the information on the type plate. Commissioning is only possible if they match in order to avoid accidents/defects.
- Do not use adapters, power strips and/or extension cords; otherwise the cables/cords can quickly overheat if other appliances are also connected. The risk of fire increases.
- Do not move the appliance during use.
- Before moving the unit, switch it off (if there is a switch for this purpose) and disconnect the mains plug.
- Always pull the cable out of the socket by the plug housing only.
- Do not let the mains cable hang over sharp edges, do not crush it and keep it away from hot objects and open flames.
- Make sure that it is not possible to accidentally pull on the cable or trip over it.
- Check the cable regularly. If it is damaged, e.g. by crushing, then it must be replaced by a qualified specialist.
- Do not touch the appliance, cable or plug with wet or damp hands.
- Caution! The unit is live as long as it is connected to the mains.
- Protect the unit from moisture.
- Do not clean the appliance with an open jet of water.
- Do not immerse the unit in water or other liquids or wet it with liquids.  
If the appliance should get wet, unplug it from the mains immediately and have it checked by a specialist before using it again. There is a danger to life from electric shock.
- A damaged unit must not be used!  
In this case, disconnect the unit from the mains and contact your specialist dealer!
- Repairs must be carried out by appropriate specialists using the original spare parts.
- Always disconnect the appliance from the mains before cleaning, and also if it is not going to be used for a long time.
- For hygienic reasons, at least daily cleaning is recommended, but also in the course of a day if necessary.

## INSTALLATION

Ensure that the mains plug is always freely accessible and can be disconnected from the mains without difficulty.

## CONNECTION

Before connecting the unit, make sure that the voltage and frequency of the power supply match the specifications on the type plate! Other voltages can cause the unit to overheat!!!

Only connect the appliance to an earthed socket outlet with a 230 volt connection.

After a power failure or if the unit has been disconnected from the mains, wait at least 5 minutes before reconnecting the unit and putting it into operation!

## STRUCTURE AND PARTS



## FIRST COMMISSIONING

### Before first use:

Unpack the appliance, check that it is complete and set it up (see Setting up the appliance).

Clean the appliance (see Cleaning).

Connect the cleaned coffee machine (see appliance connection) to a 230 V socket.

Do not remove the coffee until the brewing process is complete.

## OPERATION - SETTINGS

### Installation

1. Place the machine on a stable horizontal surface.
2. Slide the filter tray into position.
3. Pour cold water (not more than 1.8 litres) into the water container, wait 1 minute until the water pushes the air out of the machine.
4. Place an empty glass decanter, vacuum pot or thermos pot in the right place under the filter tray.
5. Turn on the switch and the "In Use" indicator lights up.
6. Hot water now flows into the thermos flask.

7. After 5-6 minutes, the 'In Use' indicator goes out. The brewing process is finished.
8. Before making coffee, repeat the above procedure 2-3 times, to thoroughly clean the internal parts of the machine.
9. During the process, it is normal to hear a hissing sound or see water vapour exits.

#### **Operation:**

1. Assemble the filter tray and add the appropriate amount (according to taste) of coffee. onto the filter paper. The recommended amount of coffee is 75 g - 90 g for 1.6 litres - 1.8 litres of water.
2. Slide the filter tray into position.
3. Add 1600 to 1800 ml of water to the water reservoir.
4. Place the empty thermos pot in the right place under the filter tray.
5. Switch on the machine, the 'In Use' indicator lights up. The brewing process begins.
6. Coffee flows into the thermos pot.
7. When the 'In Use' indicator light goes out, the brewing process is finished.
8. Switch off the mains switch and now close the lid of the thermos jug.  
The coffee can now be served.

The coffee machine has an overflow pipe if the amount of water in the reservoir exceeds the 2.3 litre mark. Nevertheless, we recommend that you make sure that the maximum amount of water does not exceed 1.8 litres to prevent the thermos pot from overflowing.

If the coffee machine is to be used again only after a long time, please repeat the steps 1-8 under the heading Installation.

## **CLEANING**

Make sure that the unit is no longer connected to the power supply and is cooled down.

Wipe the outside and inside with a damp, soft cloth.

A mild washing-up liquid can be used for this purpose.

Wipe again without cleaning additive, then rub dry well.

Do not use abrasive, bleaching, corrosive or scratching cleaning agents/cleaning aids, as this could damage/scratch the surfaces.

As there is always some water left in the hoses and the boiler of the machine, before storing the coffee maker, make sure to remove the remaining water from the coffee maker.

#### **Important:**

**When removing the coffee grounds, please make sure not to dispose of the spring of the coffee machine! It is essential that the spring is inserted during the brewing process!**



## MAINTENANCE

The coffee machine requires very little maintenance. Note the points under Installation and Cleaning.

## STORAGE / TRANSPORTATION

Switch off the unit, disconnect the mains plug.

Clean the unit thoroughly inside and outside. If it is dry and the unit is not to be used for a longer period of time, store it in a dry, dust-free and not hot place. Store the unit covered or use the original packaging to protect the unit from damage.

Protect the unit against pets climbing in, so that they cannot be trapped there.

When storing only the packaging material, please note that components of the packaging such as plastic bags, cardboard, polystyrene parts, etc., can be dangerous for children if they play with them unattended (e.g. choking hazard). can endanger children if they play with them unsupervised (e.g. choking hazard).

For transport, please use the original packing of the appliance so that it is optimally protected against bump, sharp edges, weather conditions, etc. Do not expose it to moisture or rain and avoid strong vibrations.

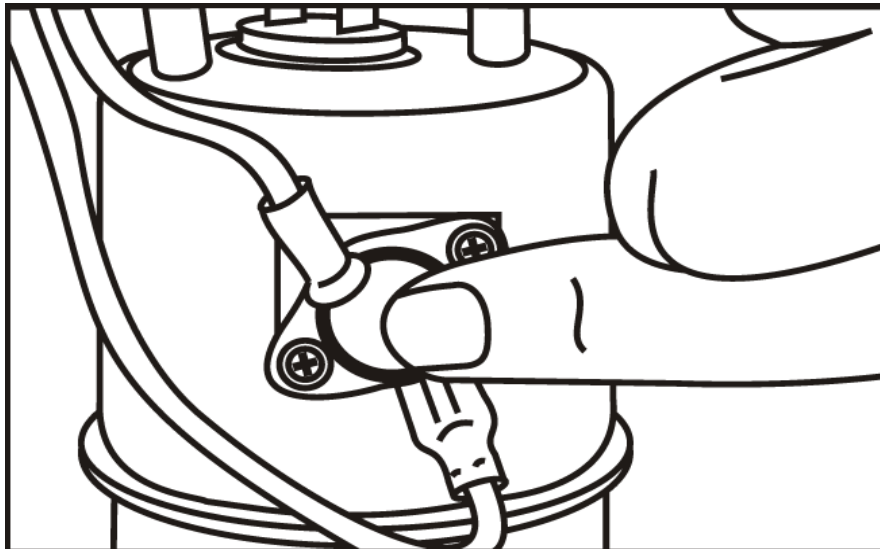
## TROUBLESHOOTING

In case the brew cycle does not work, switch off the machine and unplug it from the mains.

Completely remove any residual water from the machine, if there is any.

Remove the back cover and check if you can press the Reset button on the side of the boiler.

When the button is pressed and clicks, the coffee machine performs a reset. Descale the machine, before you use it again.

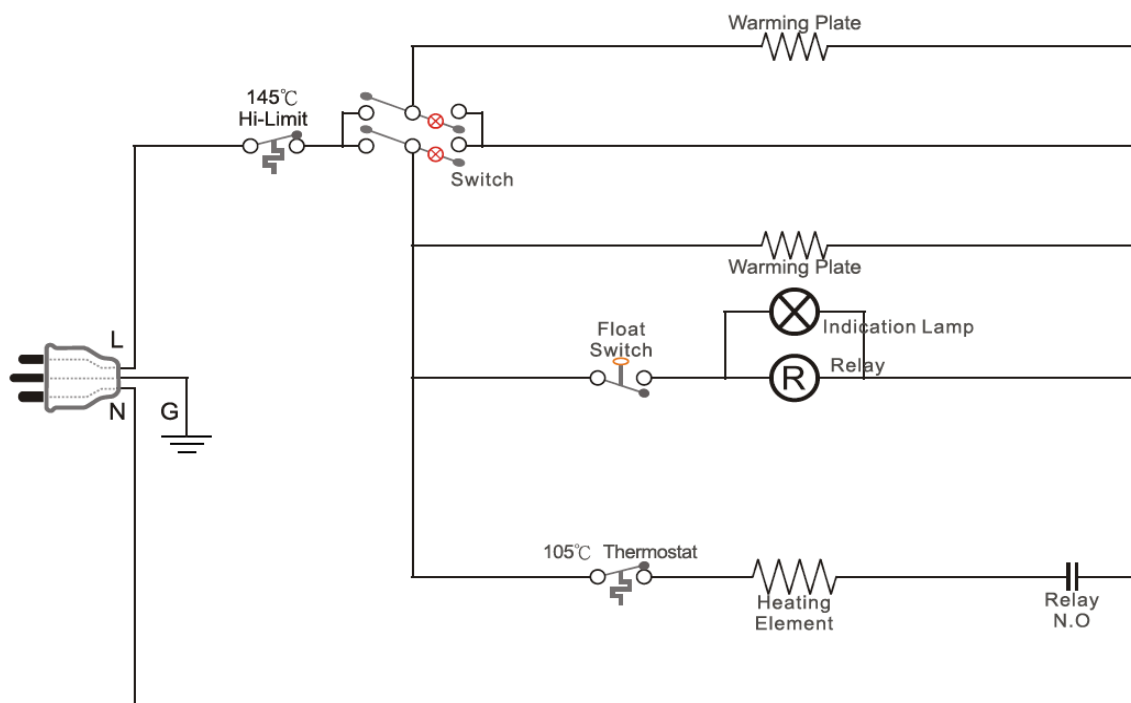


If the pump jug no longer pumps properly, please check whether the screw cap at the bottom is properly closed. If it draws air here, the pressure in the insulated pump jug cannot be built up properly and the pump is not working properly. Pump function is negatively influenced.

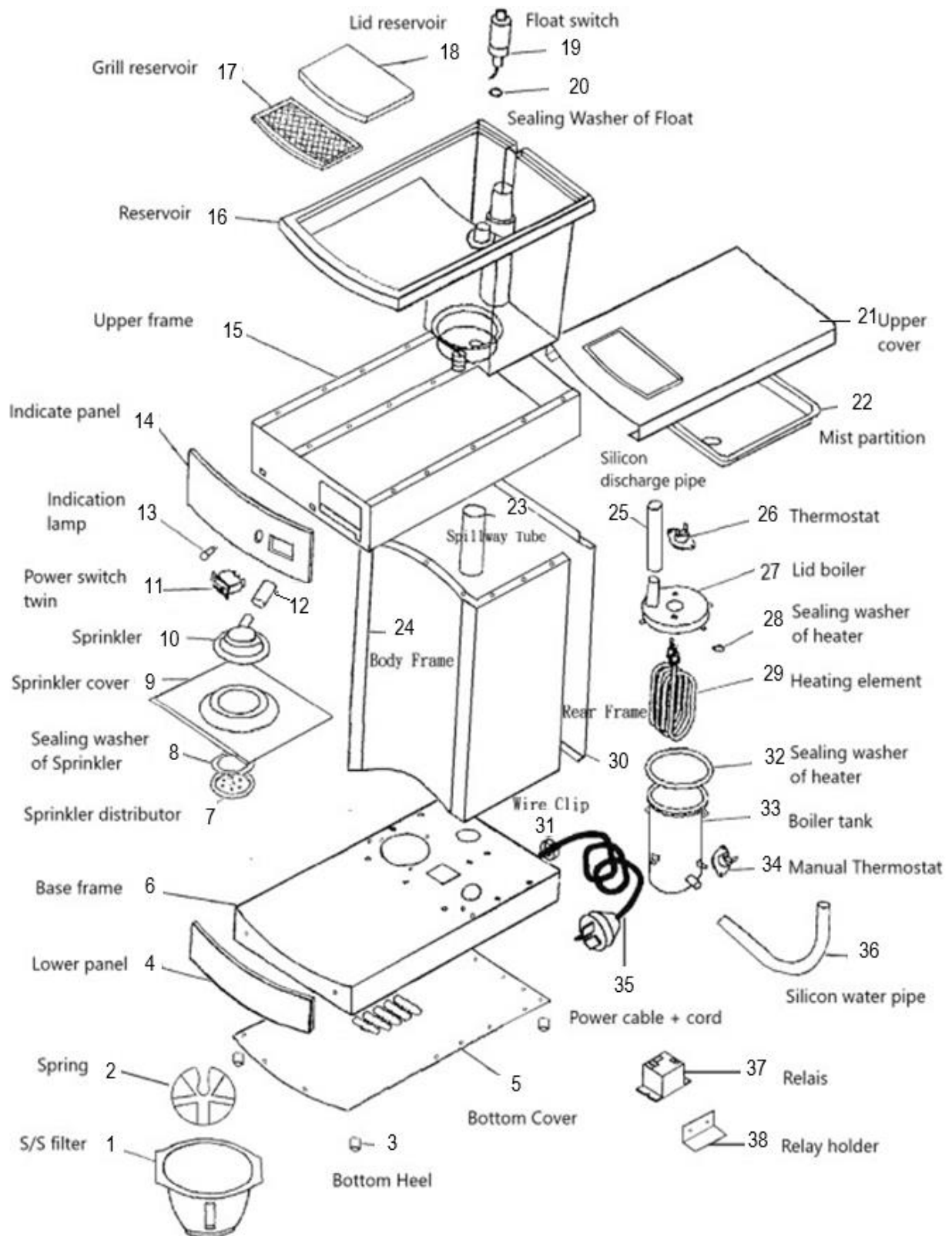
If the problem persists, contact the dealer from whom you purchased the product.



## CIRCUIT DIAGRAM



## EXPLOSION DRAWING:



## PACKAGING DISPOSAL



Please separate the packaging materials accordingly and bring them to the responsible collection points, for recycling and environmental protection.

## APPLIANCE DISPOSAL



Once the appliance has reached the end of its service life, please dispose it properly at collection point for electrical appliances.

Electrical appliances do not belong in household waste.

Your local administration will inform you about the addresses and opening hours of collection points.

This is the only way to ensure that old appliances are disposed of and recycled properly.

Thank you very much!

*You can fill in and use this table for your own, possibly later needs.*

<b>Unit designation</b>	<b>Coffee maker</b>	<b>Model name:</b>	<b>SAROMICA THERMO 24</b>
<b>Order number</b> from the type plate	<b>317-2085</b>	<b>Serial number</b> from the type plate	
If applicable Refrigerant from the type plate		If shown separately Production date from the type plate	
<b>Bought on:</b>		Telephone number of the seller	
<b>Bought where:</b> (Name of the dealer)		If available E-mail address of the seller	
Optionally Name of the seller		Further	



### **Made in P.R.C for:**

SARO Gastro-Products GmbH  
Sandbahn 6, 46446 Emmerich am Rhein,

Germany Tel. +49 (0) 2822 9258-0

Fax +49 (0) 2822 18192

E-mail [info@saro.de](mailto:info@saro.de)

Web [www.saro.de](http://www.saro.de)

Note: Technical / design / model changes and errors excepted.