

Installation Instructions
Hand Wash Basin with knee control
Model *JUSTIN*
Order no. 353-1007

1. General Information

- Read these installation instructions carefully as they contain important information for the installation of the hand wash basin.
- Should you pass the hand wash basin to a third party, these installation instructions should be handed over.
- As soon as you have unpacked the hand wash basin, check, whether everything is in a faultless condition. Should anything be damaged, inform your dealer.
- Dispose the packing material according to the local regulations. All the packaging items (plastic bags, cardboard, polystyrene foam, nails, etc..) should not be left within reach of children, because they are potential sources of danger.
- The manufacturer/dealer cannot be made responsible for damages, which arise through not observing these installation instructions.

2. Installation

- The installation should be only installed by a qualified specialist according to the valid standards.
- Remove all protection and packing materials.
- Check the hand wash basin for any damages. If something is damaged, inform your dealer.

Assembly of the hand wash basin

1. Installing tap

Unscrew the plastic nut from the base of the top, place thread of top through the hole located to the right corner of the sink bowl. Reattach the plastic nut to the thread of the top on the underside of the sink securing the top in place (fig 1).

2. Flexible hose

Screw one end of the flexible hose to the thread of the top on the underside of the sink. Note: there are two spare washers supplied (fig 1).

3. Push Button installation.

Lift knee flop on the sink to reveal a metal panel with a hole to the centre, unscrew the nut from the push button unit and place thread 1 through the hole, making sure the button faces the front. Secure this in position by reattaching the nut to thread 1. When tightening the golden nut make sure that thread 2 is pointing down (fig 2).

4. Flexible hose

Take the free end of the flexible hose and attach it to thread 2 on the push button unit (fig 2).

5. Mixer valve

Attach the mixer valve to thread 1 of the push button unit (fig 2).

6. Plug unit

To install the plug unit unscrew the central bolt that holds the plastic waste pipe and the metal drain together. Then place the metal drain inside the plug hole in the sink basin. Attach the plastic waste pipe to the underside of the basin using the lang bolt ensuring that the block rubber seal is positioned between the basin and the plastic waste pipe.

7. Trap

Attach the trap to the plastic waste pipe ensuring that it is in a vertical position.

8. Fixing to the wall

Fix the wall bracket to the wall using the screws provided. Hang the sink unit on the wall bracket using the lip on the reverse of the splashback, it should simply slide on. Once hung use the two remaining screws to secure base of sink to the wall. Run a silicon seal between the splashback and the wall.

9. Connecting pipes

Connect the hot /cold water inlet pipes to the mixer valve (using female 15/21 connector) (fig 2). Attach the wastewater pipe (32mm diameter) to the waste unit.

ATTENTION: an incorrect connection inevitably leads to the destruction of the valve!!!

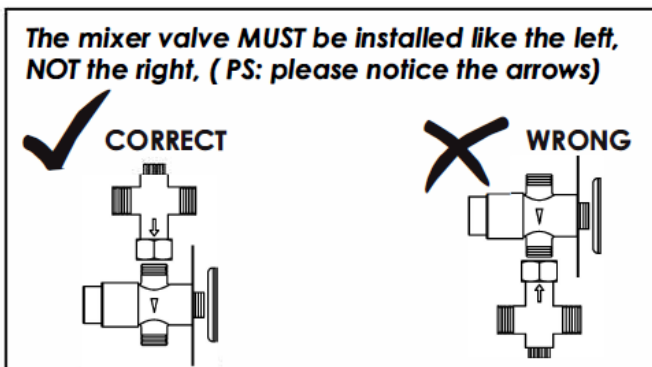


fig 1.

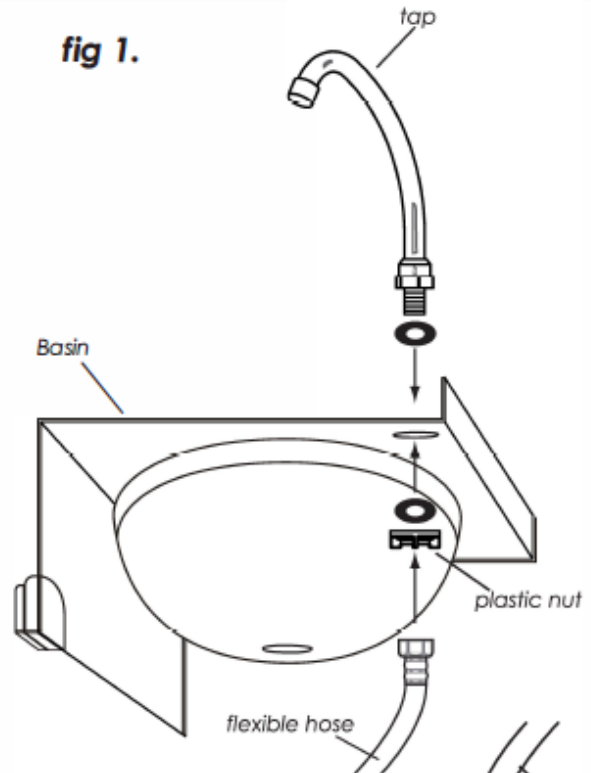
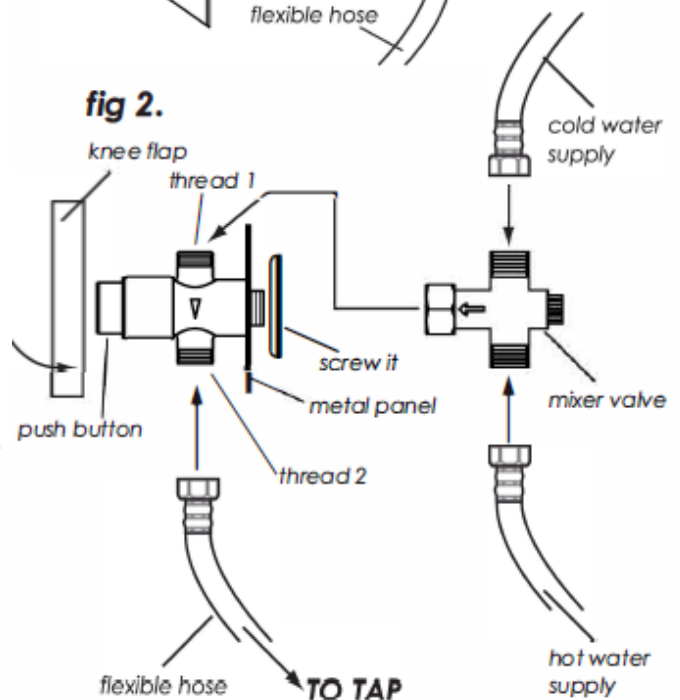


fig 2.



3. Cleaning

- For hygienical reasons the hand wash basin should be cleaned daily.
- Clean everything with a damp cloth and some commercial cleaning detergent. Afterwards dry it carefully.
- You can clean the hand wash basin with a high-grade steel cleaner also.
- Clean regularly the siphon.

4. Technical and other data

- Material: Stainless steel AISI 304
- Mixing valve
- With setback flap
- Splashback
- Connection to the waterpipe – ½“
- Siphon included
- Dimensions: W 400 x D 400 x H 240 mm
- Weight: net 5,2 kg - gross 5,8 kg