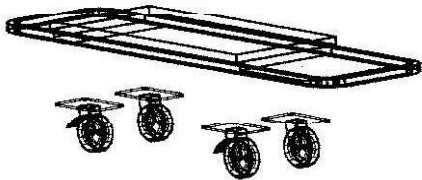
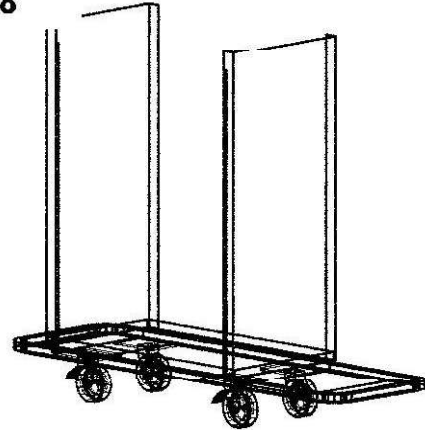


**Installation Instructions  
Room Service Trolley  
Model AF 260  
Order no. 399-1018**



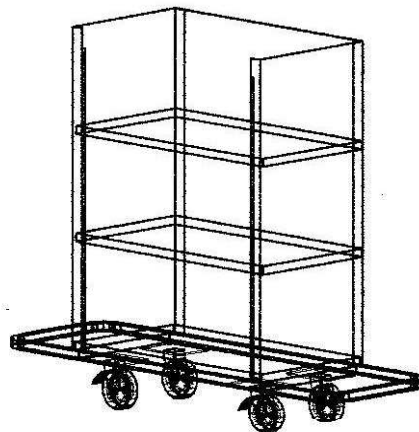
**1. Wheels are installed on bottom plate with screws.**



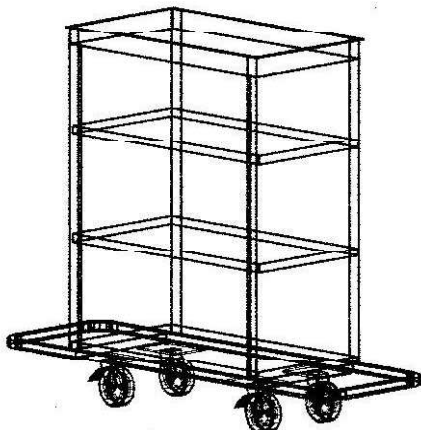
**2. Left/right side boards are fixed on 2 sides of the bottom plate with screws.**



**3. Upper/lower shelves are fixed between Left/right side boards with screws.**



**4. Back plate is fixed between the bottom plate and shelves with screws.**



**5. Upper tray is mounted on top of the side boards and back plate.**



**6. Handrails and upper tray are fixed on the side boards with screws.**