

Operating instructions  
**Beverage cooler**

Model: DK134

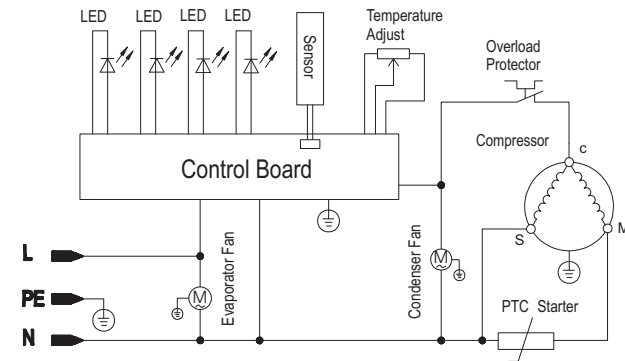
Order no. 325-2150



**Contents**

1. General information.....	2
2. Technical data.....	3
3. Installation.....	3
4. Maintenance.....	5
5. Trouble shooting.....	5
6. Wiring diagram.....	6
7. Technical and other information.....	6
8. Declaration of conformity.....	6

## 6. WIRING DIAGRAM



## 7. Technical and other information

Beverage cooler

Model: DK134  
 Order No.: 325-2150  
 Content (inner pot): 134.5 litres

### Materials:

Cabinet: Black Powder coated  
 Door frame: Black Plastic  
 Shelves: 6 pcs Rack  
 Thermostat: Digital  
 Illumination: With LED Lights in canopy and door frame  
 Inner liner: PCM

Refrigerant: R600a/65g



Unit weight: 68 kg (net), 77 kg (gross)  
 Unit dimensions: B 403 x D 455 x H 1905 mm  
 Connection: 230V /1Ph. / 50 Hz

Manufactured for: Saro Gastro-Products GmbH  
 Sandbah 6

46446 Emmerich am Rhein - GERMANY  
 Tel: +49(0)2822-9258-0 Fax: +49 (0)2822 18192  
 Email: info@saro.de Internet: www.saro.de

## 8. Declaration of conformity

The device complies with the current standards and directives of the EU.  
 If necessary we provide you with the corresponding declaration of conformity.

#### 4. MAINTENANCE

- Before cleaning the cooler always remember to unplug it.
- Unplug the cooler at the electrical outlet; never pull the service cord.
- Do not use sharp objects for cleaning.
- Clean the inside cabinet of cooler with a clean damp cloth or with neutral soap. Avoid damage by never using abrasive or flammable cleaning products.
- Clean the condenser at least once a month with a vacuum cleaner or a brush to eliminate the dust accumulation.
- Do not wash the cooler with direct, or high pressure water jets.

#### 5. TROUBLE SHOOTING

Often problems that occur during normal operation can be resolved without the assistance of a specialized technician, verify the following:

- a) The appliance does not operate.
  - Check that the plug is correctly into the electrical outlet.
  - Verify that there is voltage at the electrical outlet
- b) The product is too warm.
  - Check the setting of the thermostat. (See Testing Section)
  - Check the closing of the door, and ensure door gasket seals.
  - Check that the interior fan is operating, and not blocked.
  - Check and clean the condenser
- c) The appliance is excessively noisy.
  - Verify the equipment is level.
  - Ensure that the equipment is not touching other equipment that could cause vibration.

*Prepare to answer the following:*

- The type of problem: (electrical, mechanical)
- The model, code and serial number of the cooler can be found on the manufacturer label attached to the interior wall of the cooler.

#### 1. GENERAL INFORMATION

##### 1.1 Foreword

The purpose of this document is to provide important information regarding the installation, use and maintenance of the cooler. Before any operation, you should read carefully the information contained in this manual.

The manufacturer assumes no liability for parts or labor coverage for component failure or other damages resulting from improper usage, installation of failure to clean and/or maintain product as set forth in these instructions.

##### 1.2 GENERAL USE



The cooler is not designed for external (outdoor) placement or environments that subject it to the actions of atmospheric agents (rain, direct sun light)

The manufacturer is not responsible for damages resulting from the improper use of the product.

This appliance can be used by children aged from 8 years and above and persons with reduced physical, sensory or mental capabilities or lack of experience and knowledge if they have been given supervision or instruction concerning use of the appliance in a safe way and understand the hazards involved. Children shall not play with the appliance. Cleaning and user maintenance shall not be made by children without supervision.

If the supply cord is damaged, it must be replaced by the manufacturer, its service agent or similarly qualified persons in order to avoid a hazard.

- WARNING: Keep ventilation openings, in the appliance enclosure or in the built-in structure, clear of obstruction.
- WARNING: Do not use mechanical devices or other means to accelerate the defrosting process, other than those recommended by the manufacturer.
- WARNING: Do not damage the refrigerant circuit.
- WARNING: Do not use electrical appliances inside the food storage compartments of the appliance, unless they are of the type recommended by the manufacturer.

Do not Store explosive substances such as aerosol cans with a flammable propellant in this appliance.

## Correct Disposal of this product



This marking indicates that this product should not be disposed with other household wastes throughout the EU. To prevent possible harm to the environment or human health from uncontrolled waste disposal, recycle it responsibly to promote the sustainable reuse of material resources.

To return your used device, please use the return and collection systems or contact the retailer where the product was purchased. They can take this product for environmental safe recycling. If the supply cord is damaged, it must be replaced by the manufacturer, its service agent or similarly qualified persons in order to avoid a hazard.



Caution: risk of fire.

## 1.3 TESTING

The cooler is shipped ready for use.

The temperature control is preset from the factory.

As needed, the temperature control can be adjusted Clock-wise to make the product “Colder”, the control can be adjusted Counter Clockwise to make the product “Warmer”

## 1.4 RESPONSIBILITY OF THE CUSTOMER

Ensure that the electrical outlet is connected effectively to earth (ground), suitable to provide the voltage indicated on the data plate. Make sure that the cooler is placed on a level surface.

## 2. TECHNICAL DATA

### 2.1 MATERIALS AND REFRIGERANTS

Interior or exterior surfaces that come into contact with the products are made of galvanized steel. Aluminium or non-toxic plastic materials.

The Refrigerant used is approved by government regulations.

The type and quantity of the gas charged, in the refrigeration unit, is indicated on the data plate.

## 3. INSTALLATION

For safe proper operation, follow the manufacturer’s instructions reported in this section.

## 3.1 POSITIONING

The cooler must be placed in an adequately ventilated room. Keep away from heat sources, such as radiators or air conditioning pipes. Allow free air circulation to the refrigerator unit.

The ambient temperature must not be higher than 32°C.

This appliance climate class is 5

Testroom climateclass	Drybulb temperature°C	Relative humidity%	Dewpoint°C	Waterweightin dryairg/kg
0	20	50	9.3	7.3
1	16	80	12.6	9.1
2	22	65	15.2	10.8
3	25	60	16.7	12
4	30	55	20.0	14.8
5	40	40	23.9	18.8
6	27	70	21	15.8
7	35	75	30	27.3

3.1.1 Cooler Leveling: To provide the best performance the cooler must remain level.

## 3.2 ELECTRICAL CONNECTION

### WARNING DO NOT USE EXTENSION CORDS

The cooler works on single-phase voltage (220-240V/50Hz) power supply.

To switch on the cooler, insert the plug into the outlet.

Ensure that:

The electrical outlet must be provided with an efficient ground, the voltage and the frequency of the electrical line matches those indicated on the data plate. If unsure about the efficiency of the ground, have your electrical circuit checked by qualified technician. When the cooler is operating, check that the supply voltage is not dropping or increasing under/over +10% the rated voltage (187 Volts to 242 Volts)

If the light is damaged, it must be replaced with a same size, power and shape one. and must be replaced by the manufacturer or its service agent

The manufacturer is not responsible for damages or accidents arising from the misuse or disregard of electrical laws relevant to the country where the cooler is used.